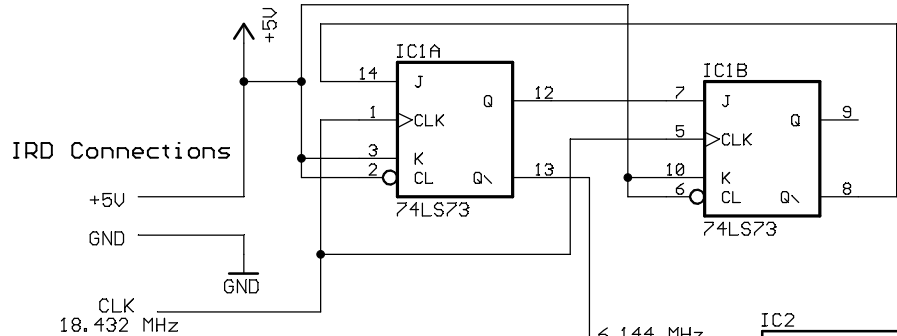


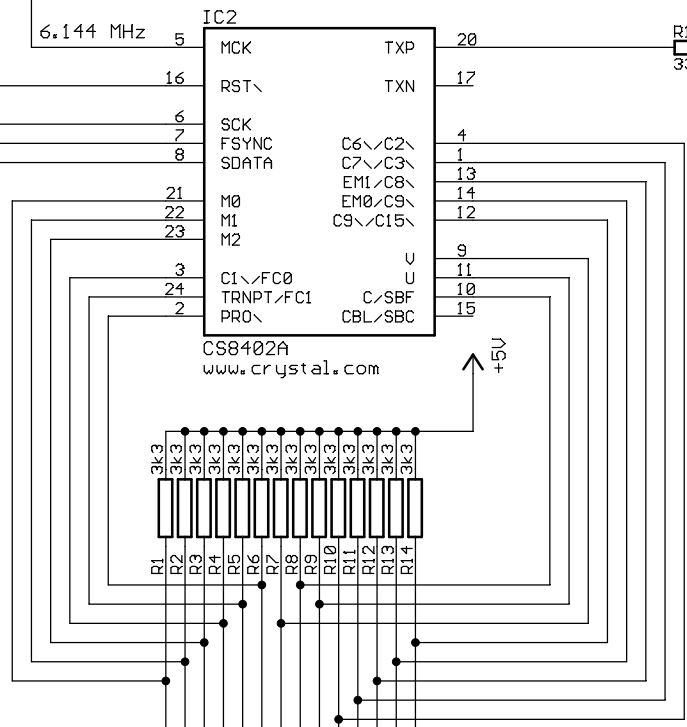
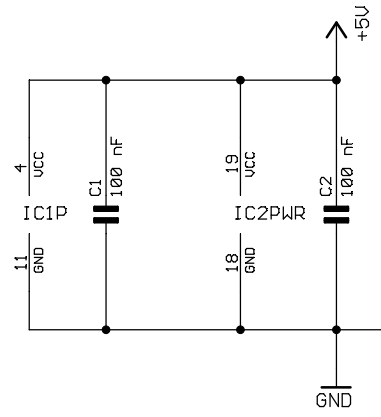
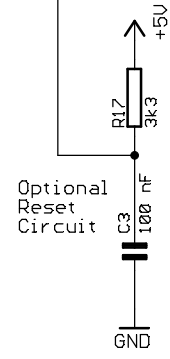
IRD Connections



Connections for SM5877 Filter/DAC  
www.npc.co.jp  
18 CLK  
22 RST\  
5 SCLK  
8 LRCLK  
6 SDATA

Connections for CS4334 Filter/DAC  
4 CLK  
2 SCLK  
3 LRCLK  
1 SDATA

Optional Reset Circuit



Typical JP1 Jumper Settings			
Pins	Signal	Jumper	Comment
7-8	FC0	Off	48 kHz
9-10	FC1	On	
11-12	PR0\ C15\ C14\ C13\ C12\ C11\ C10\ C9\ C8\ C7\ C6\ C5\ C4\ C3\ C2\ C1	Off	Consumer Mode
13-14	U	On	Valid Data
15-16	C	On	Not Used
17-18	U	On	Not Used
19-20	C2\ C3\ C8\ C9\ C15\ C14\ C13\ C12\ C11\ C10\ C9\ C8\ C7\ C6\ C5\ C4\ C3\ C2\ C1	On	Copying Allowed
21-22	C3\ C8\ C9\ C15\ C14\ C13\ C12\ C11\ C10\ C9\ C8\ C7\ C6\ C5\ C4\ C3\ C2\ C1	Off	No pre-emphasis
23-24	C8\ C9\ C15\ C14\ C13\ C12\ C11\ C10\ C9\ C8\ C7\ C6\ C5\ C4\ C3\ C2\ C1	Off	General
25-26	C9\ C15\ C14\ C13\ C12\ C11\ C10\ C9\ C8\ C7\ C6\ C5\ C4\ C3\ C2\ C1	Off	General
27-28	C15\ C14\ C13\ C12\ C11\ C10\ C9\ C8\ C7\ C6\ C5\ C4\ C3\ C2\ C1	On	First Generation

SM5877 Settings (Uniden UDS-100, UDS-200)			
Pins	Signal	Jumper	Comment
1-2	M0	Off	Format 5
3-4	M1	On	LSB Justified, 16 Bits
5-6	M2	Off	DAC Compatible

CS4334 Settings (Hughes E-11, E-25)			
Pins	Signal	Jumper	Comment
1-2	M0	On	Format 4
3-4	M1	On	IIS (I2S)
5-6	M2	Off	

TITLE: dbs-spdif	
Document Number:	REV: 1
Date: 2/09/2000 03:15:40a	Sheet: 1/1